

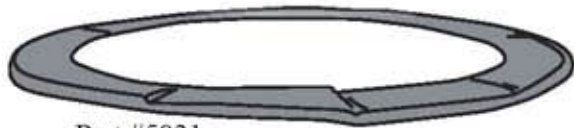
# STFC10G09 - Skywalker Trampolines 8X10 Folding Oval Trampoline and Enclosure

Reference the key number with associated part number on the part diagram to help you to select the correct replacement parts you are in need of.

## PARTS LIST

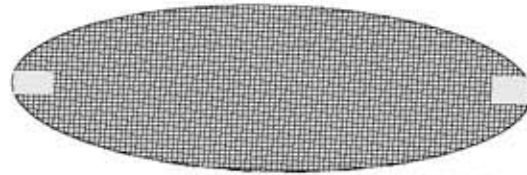
Part #	Key No.	Description	Qty.
Part #5031	1	Frame Cover	1
Part #7017	2	Jumping Mat	1
Part #4105	3	Short Frame Tube	2
Part #4106	4	Long Frame Tube	2
Part #4155		Socket Pivot	2
Part #4111	5	Long Frame Tube	2
Part #4156		T-Socket	2
Part #4112	6	Short Frame Tube	2
Part #4157		Frame Joint	2
Part #4113	7	"T" joint	2
Part #4114	8	Left leg1	1
Part #4115	8-1	Left leg2	1
Part #4116	9	Right Leg1	1
Part #4117	9-1	Right Leg2	1
Part #4118	10	Middle Tube	2
Part #1047	11	Rope	3
Part #4119	12	Support Leg	2
Part #4120	13	Brace tube	2
Part #6021	14	Enclosure Net	1
Part #4121	15	Lower Pole	6
Part #4122	16	Upper Pole	6
Part #5001	17	Foam Tube	12

Key No.	Description	Qty.	Part #
18	Support foot	2	Part #1057
19	Wheel	2	Part #8020
20	Connecting Rod	1	Part #4123
21	M8x55mm Shoulder Bolt	4	Part #1037
22	Protective plate	8	Part #1067
23	M8x40mm Bolt	6	Part #1058
24	M8x45mm Bolt	2	Part #1059
25	M8x50mm Bolt	2	Part #1060
26	M8 Locknut	14	Part #1003
27	M4.8x16 Screw	10	Part #1005
28	Pole Cap	6	Part #8016
29	Cap Finger Bolt	6	Part #1016
30	Tools	1 Set	Part #1064
31	Lock Washer	6	Part #1065
32	Big "C" Ring	2	Part #1066
33	Band	20	Part #3008



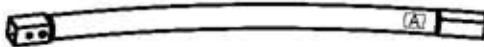
Part #5031

**1** Frame Cover (1)



Part #7017

**2** Jumping Mat (1)



Part #4105

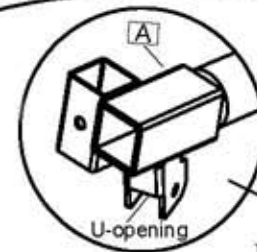
**3** Short Frame tube (2)



Part #4106

**4** Long Frame tube

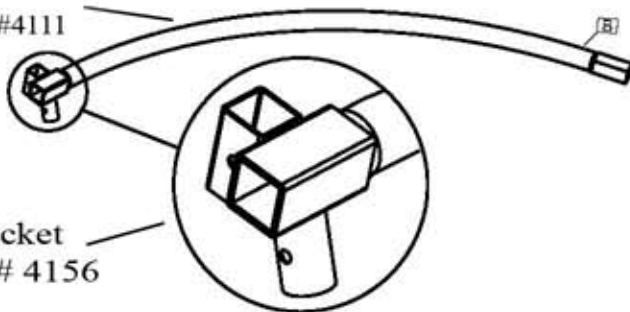
Part #4106



Pivot  
Part # 4155

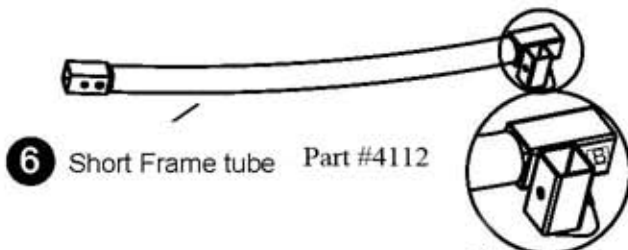
**5** Long Frame tube

Part #4111



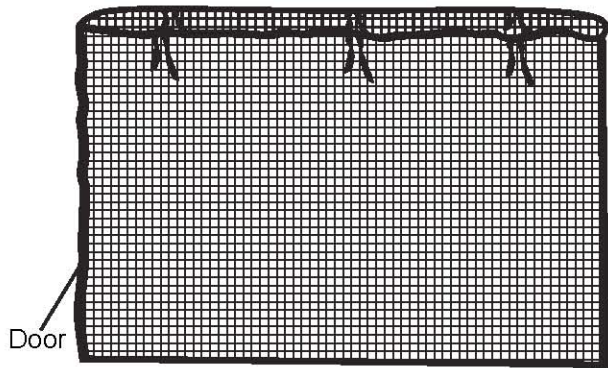
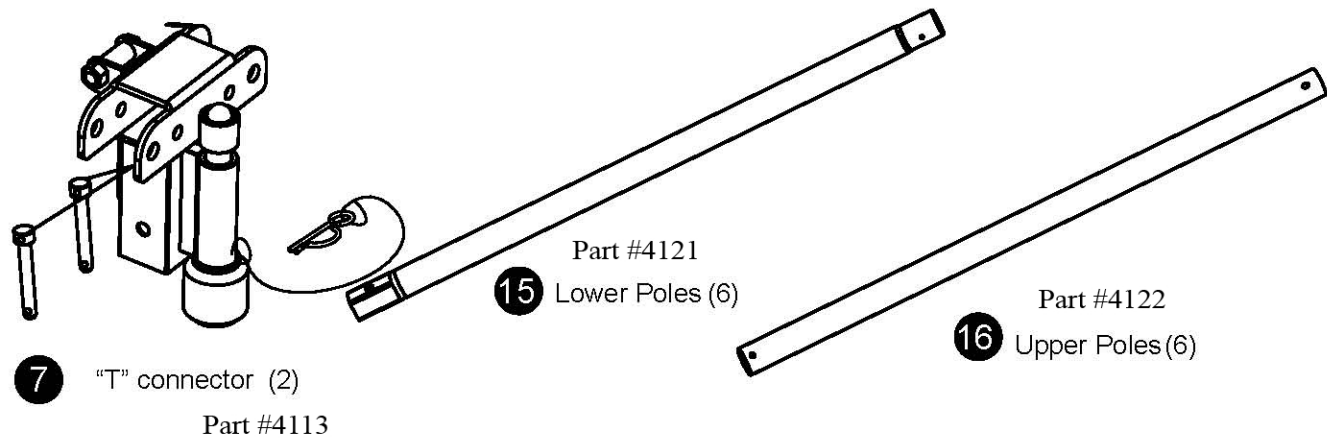
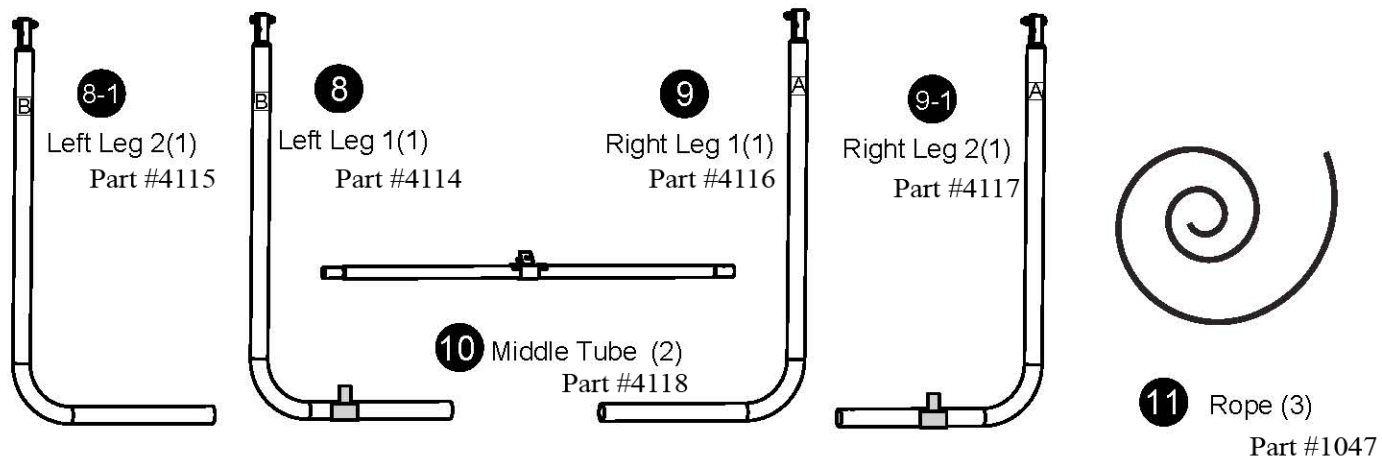
Socket

Part # 4156

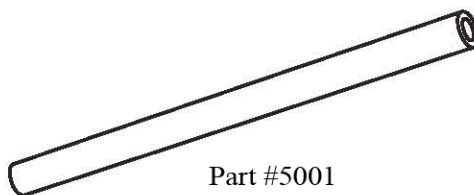
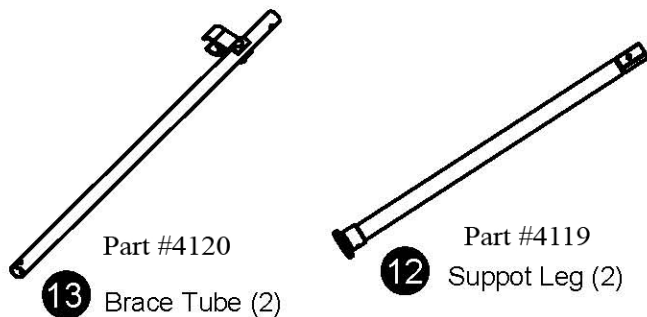


**6** Short Frame tube Part #4112

Frame Joint: Part #4157



14 Safety Enclosure Mesh(1)



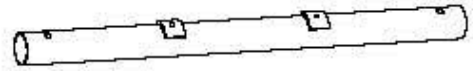
17 Foam Tube(12)



**18** Support Foot (2)  
Part #1057



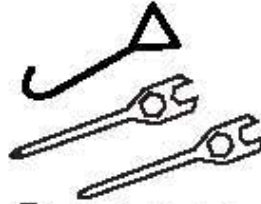
Part #8020  
**19** Wheels (2)



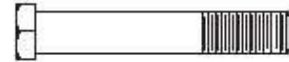
Part #4123  
**20** Connecting Rod (1)



**21** M8x55mm Shoulder Bolt(4)  
Part #1037



**30** Tools (1 Set)  
Part #1064



**23** M8x40mm Bolt (6)  
Part #1058



**24** M8x45mm Bolt (2)  
Part #1059



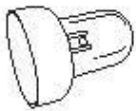
**25** M8x50mm Bolt (2)  
Part #1060



**26** M8 Locknut (14)  
Part #1003



**27** M4.8x16 Screw (10)  
Part #1062



**28** Pole Cap (6)  
Part #8016



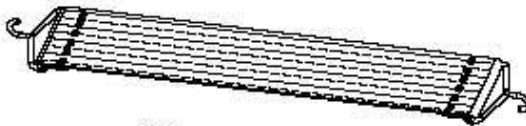
**29** M5X50 Bolt (8)  
Part #1016



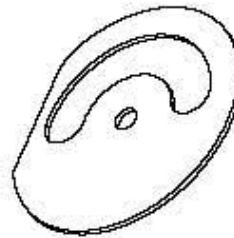
**31** Lock-washer (7)  
Part #1065



**32** Big "C" Ring (2)  
Part #1066



**33** Band (20)  
Part #3008



**22** Protective plate (8)  
Part #1067